

SPB INDUSTRIAL CO.,LIMITED

Web: <http://www.spboiles.com>

Email: zhou@spboiles.com

DP4 (Flanged) Thrust Washers Catalog

- STRUCTURE

Metal-Polymer Composite Bushing Material

- CHARACTERISTICS

1. DP4 anti-friction bushings offer good wear and low friction performance over a wide range of loads, speeds and temperatures in dry running conditions
2. Very good performance in lubricated applications
3. Good performance in greased applications
4. Suitable for linear, oscillating and rotating movements
5. Lead-free material compliant to EVL, WEEE, and RoHS specifications

DP4 : carbon steel backing, red color PTFE + Fillers composite

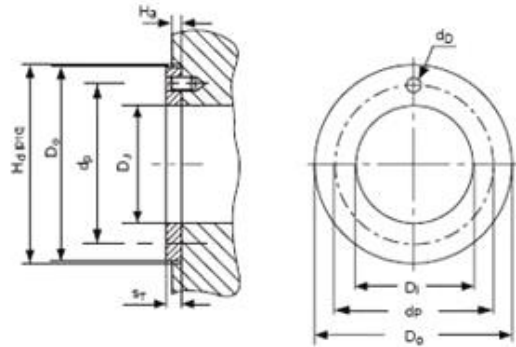
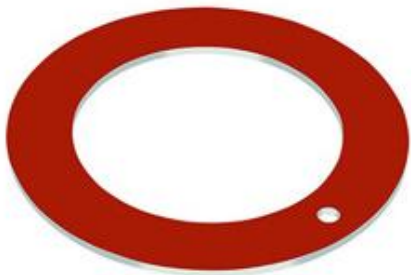
DP4-B : bronze backing, red color PTFE + Fillers composite

DP10 : carbon steel backing, black color PTFE + Graphite composite

DP11 : carbon steel backing, black color PTFE + Fillers + Graphite composite

DP31 : carbon steel backing, black color PTFE + Fluoropolymer + Fillers + Graphite composite

Thrust Washer Sizes:



Part No.	Di (mm)	Do (mm)	ST (mm)	dD (mm)	dP (mm)	Ha max. (mm)	Ha min. (mm)
WC08DP4	10	20	1.5			1.2	0.95
WC10DP4	12	24	1.5	1.75	18	1.2	0.95
WC12DP4	14	26	1.5	2.25	20	1.2	0.95
WC14DP4	16	30	1.5	2.25	22	1.2	0.95
WC16DP4	18	32	1.5	2.25	25	1.2	0.95
WC18DP4	20	36	1.5	3.25	28	1.2	0.95

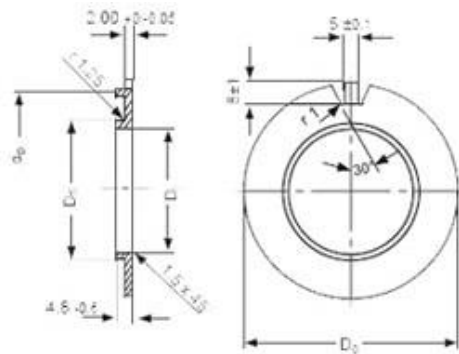
SPB INDUSTRIAL CO.,LIMITED

Web: <http://www.spboiles.com>

Email: zhou@spboiles.com

WC20DP4	22	38	1.5	3.25	30	1.2	0.95
WC22DP4	24	42	1.5	3.25	33	1.2	0.95
WC24DP4	26	44	1.5	3.25	35	1.2	0.95
WC25DP4	28	48	1.5	4.25	38	1.2	0.95
WC30DP4	32	54	1.5	4.25	43	1.2	0.95
WC35DP4	38	62	1.5	4.25	50	1.2	0.95
WC40DP4	42	66	1.5	4.25	54	1.2	0.95
WC45DP4	48	74	2	4.25	61	1.7	1.45
WC50DP4	52	78	2	4.25	65	1.7	1.45
WC60DP4	62	90	2	4.25	76	1.7	1.45

Flanged Thrust Washers Sizes:



Part No.	Di (mm)	Do (mm)	Dfl (mm)	dP (mm)
BS40DP4	40.45	75	44	64.75
BS50DP4	51.25	85	55	74.75
BS60DP4	61.25	95	65	84.75
BS70DP4	71.25	110	75	99.75
BS80DP4	81.25	120	85	109.75
BS90DP4	91.25	130	95	119.75
BS100DP4	101.25	140	105	129.75